

● GU系列高真空球阀 CU Series High Vacuum Ball Valve

○ 概述Outline

GU系列高真空球阀是一种手动阀门。采用ISO5211高平台设计，使安装执行器更加方便，使产品更加美观。它具有高流导，连接形式多样等特点，是真空和压力能同时兼用的一种阀门。

适用的介质为空气及弱腐蚀性气体。是乳品、酒业、生物工程、食品、制药、饮料、化工、化妆品等领域的常选阀门。并已广泛应用于新能源行业及半导体产业。

The GU series of high vacuum ball valve is a manual valve. Use ISO 5211 high platform design so that the actuator is more convenient to install, make the products more beautiful. It has a high flow conductance and the connection characteristics of various forms. It can be used in environment with vacuum or pressure.

The applicable media is air and weak corrosive gas. Be often used in the dairy products, wine, biotechnology, food, pharmaceutical, beverage, chemical, cosmetics and other fields. Particularly in the new energy industry and semiconductor industry has achieved widespread application.

○ 主要性能指标Main Performance Parameters

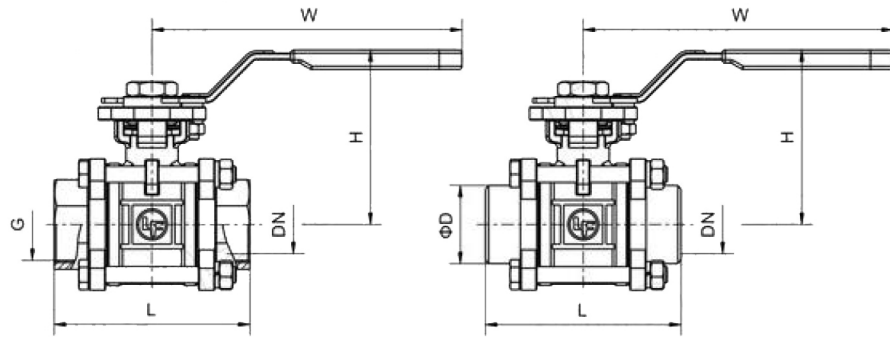
| | |
|------------------------------|--|
| 适用范围 Scope Of Application | $16 \times 10^5 \sim 6.7 \times 10^{-4}$ Pa(螺纹连接Thread) $6 \times 10^5 \sim 6.7 \times 10^{-4}$ Pa(活套法兰Loose Flange) $40 \times 10^5 \sim 6.7 \times 10^{-4}$ Pa(焊接连接Weld) $10^5 \sim 6.7 \times 10^{-4}$ Pa(快卸法兰Fast Release Flange) |
| 阀门漏率 Valve Leakage Rate | $\leq 6.7 \times 10^{-5}$ Pa.L/S. |
| 介质温度 Medium Temperature | -30~+150°C(聚四氟乙烯PTFE) -30~+260°C(对位聚苯PPL) |
| 安装状态 Installation Status | 任意Any |

○ 主要零件材料Main Parts Material

| | |
|--------------------------------------|----------------------------------|
| 阀体、阀盖、阀杆、球体 Body、Bonnet、Stem、Ball | 不锈钢 Stainless Steel |
| 密封件 Seal | 聚四氟乙烯、对位聚苯、氟橡胶 PTFE、PPL、Viton |



○ 外形及连接尺寸 (单位: 毫米)
Outline And Connection Dimension (Unit: mm)



图Figure 1

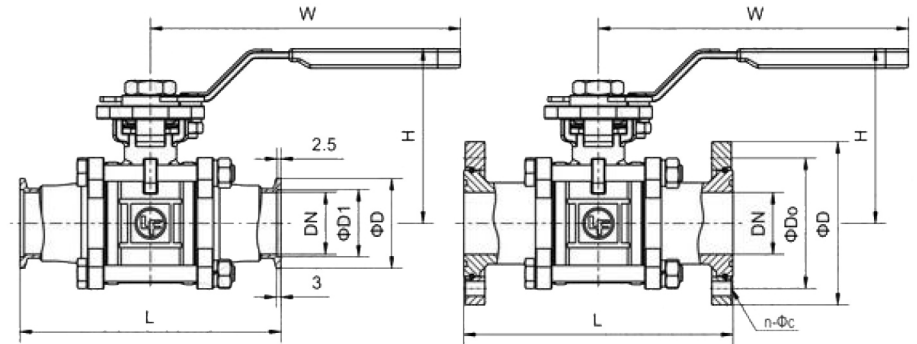
图Figure 2

螺纹连接尺寸 Thread Connection Dimension (图Figure 1)

| 型号Model | DN | G | L | H | W |
|---------|-----|--------|-----|-----|-----|
| GU-10G | 10 | 3/8" | 70 | 70 | 135 |
| GU-16G | 16 | 1/2" | 70 | 77 | 135 |
| GU-25G | 25 | 1" | 91 | 90 | 165 |
| GU-32G | 32 | 1-1/4" | 108 | 95 | 165 |
| GU-40G | 40 | 1-1/2" | 123 | 107 | 190 |
| GU-50G | 50 | 2" | 138 | 114 | 190 |
| GU-63G | 63 | 2-1/2" | 185 | 140 | 260 |
| GU-80G | 80 | 3" | 210 | 148 | 260 |
| GU-100G | 100 | 4" | 268 | 195 | 300 |

焊接连接尺寸 Welded Connection Dimensions (图Figure 2)

| 型号Model | DN | D | L | H | W |
|---------|-----|-------|-----|-----|-----|
| GU-10H | 10 | 17.5 | 70 | 70 | 135 |
| GU-16H | 16 | 22.7 | 70 | 77 | 135 |
| GU-25H | 25 | 33.5 | 91 | 90 | 165 |
| GU-32H | 32 | 42 | 108 | 95 | 165 |
| GU-40H | 40 | 48.5 | 123 | 107 | 190 |
| GU-50H | 50 | 60.5 | 138 | 114 | 190 |
| GU-63H | 63 | 76.5 | 185 | 140 | 260 |
| GU-80H | 80 | 90 | 210 | 148 | 260 |
| GU-100H | 100 | 106.5 | 268 | 195 | 300 |



图Figure 3

图Figure 4

快卸法兰连接尺寸 Fast Release Flange Connection Dimensions (GB 4982 / ISO-KF) (图Figure 3)

| 型号Model | DN | D | D1 | L | H | W |
|---------|----|----|------|-----|-----|-----|
| GU-10KF | 10 | 30 | 12.2 | 94 | 70 | 135 |
| GU-16KF | 16 | 30 | 17.2 | 104 | 77 | 135 |
| GU-25KF | 25 | 40 | 26.2 | 114 | 90 | 165 |
| GU-32KF | 32 | 55 | 34.2 | 140 | 95 | 165 |
| GU-40KF | 40 | 55 | 41.2 | 165 | 107 | 190 |
| GU-50KF | 50 | 75 | 52.2 | 175 | 114 | 190 |

活套法兰连接尺寸 Loose Flange Connection Dimension (GB 6070) (图Figure 4)

| 型号Model | DN | D | Do | L | n- Φc | H | W |
|---------|-----|-----|-----|----------|---------------|-----|-----|
| GU-10F | 10 | 55 | 40 | 94 | 4- $\Phi 6.6$ | 70 | 135 |
| GU-16F | 16 | 60 | 45 | 104 | 4- $\Phi 6.6$ | 77 | 135 |
| GU-25F | 25 | 70 | 55 | 114 | 4- $\Phi 6.6$ | 90 | 165 |
| GU-32F | 32 | 90 | 70 | 140 | 4- $\Phi 9$ | 95 | 165 |
| GU-40F | 40 | 100 | 80 | 165 | 4- $\Phi 9$ | 107 | 190 |
| GU-50F | 50 | 110 | 90 | 175 | 4- $\Phi 9$ | 114 | 190 |
| GU-63F | 63 | 130 | 110 | 195(186) | 4- $\Phi 9$ | 140 | 260 |
| GU-80F | 80 | 145 | 125 | 220(203) | 8- $\Phi 9$ | 148 | 260 |
| GU-100F | 100 | 165 | 145 | 280(220) | 8- $\Phi 9$ | 185 | 300 |

注: 括号内尺寸为两片式结构的长度。 Note: () For dimension of two-piece type.