

● GD系列高真空挡板阀 GD Series High Vacuum Baffle Valve

○ 概述Outline

GD系列高真空挡板阀用于接通或切断真空管路中的气流。适用介质为空气及非腐蚀性气体。

高真空挡板阀有角通型 (GD-J) 和带预抽口的三通型 (GD-S) 轴封有橡胶组合圈密封和波纹管密封两种形式, 型号后带"b"的表示轴封为波纹管密封。

GD series high vacuum baffle valve is the device which turns on or cut off the vacuum airflow. The applicable media is air and non-corrosive gases. It has two types, one is angle-through (GD-J) and another is with flange style of pre-pump (GD-S). And it has two forms in seal, combinatorial rubber seal rings seal and bellows seal. It is the bellows seal style after the product type No. with "b".

○ 主要性能指标Main Performance Parameters

适用范围 Scope Of Application	$10^5 \sim 6.7 \times 10^{-5}$ Pa (轴封为橡胶Rubber Shaft Seal) $10^5 \sim 6.7 \times 10^{-7}$ Pa (轴封为波纹管Bellows Shaft Seal)
阀门漏率 Valve Leakage Rate	$\leq 1.3 \times 10^{-5}$ Pa.L/S. (轴封为橡胶Rubber Shaft Seal) $\leq 1.3 \times 10^{-7}$ Pa.L/S. (轴封为波纹管Bellows Shaft Seal)
介质温度 Medium Temperature	-25~+80°C (丁腈橡胶NBR) -30~+150°C (氟橡胶Viton)
安装状态 Installation Status	\leq DN160无要求, 其它规格建议竖直安装 \leq DN160 no requirement, Other specifications proposed vertical installation

○ 主要零件材料Main Parts Material

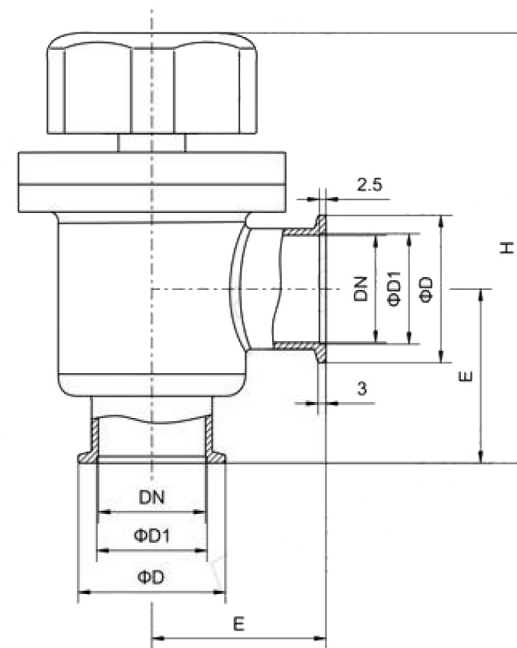
DN10b-DN50b:

阀体、阀杆 Body、Stem	不锈钢 Stainless Steel
阀盖 Bonnet	铝合金 Aluminum Alloy
密封件 Seal	氟橡胶、波纹管(轴封) Viton、Bellows (Shaft Seal)

DN63-DN300:

阀体、阀杆、阀盖 Body、Stem、Bonnet	碳钢 Carbon Steel
密封件 Seal	丁腈橡胶 NBR

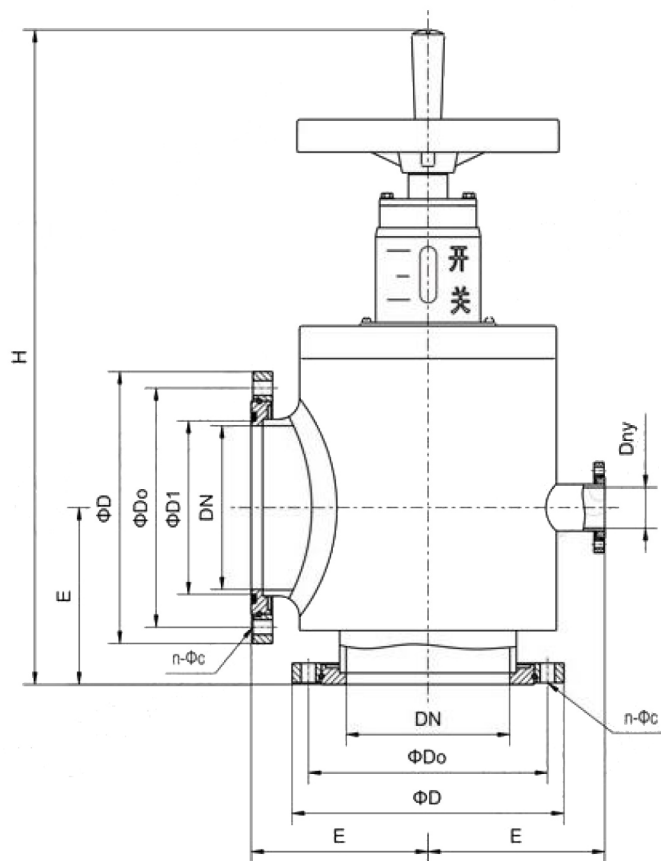
○ 外形及连接尺寸 (单位: 毫米) Outline And Connection Dimension (Unit: mm)



DN ≤ 50

快卸法兰ISO-KF连接
ISO-KF Fast Release Flange

型号Model	DN	D	D1	E	H
GD-J10b	10	30	12.2	30	132
GD-J16b	16	30	17.2	40	135
GD-J25b	25	40	26.2	50	140
GD-J40b	40	55	41.2	65	170
GD-J50b	50	75	52.2	70	210



$50 \leq DN \leq 320$

活套法兰连接(无预抽口)
Loose Flange(No Pre-pumping Port)

型号Model	DN	D	Do	D1	E	H	n-Φc	法兰标准
GD-J50b	50	110	90	55	70	210	4-Φ9	GB6070
GD-J63	63	130	110	68	88	386	4-Φ9	
GD-J80	80	145	125	85	98	407	8-Φ9	
GD-J100	100	165	145	105	108	422	8-Φ9	
GD-J160	160	225	200	165	158	580	8-Φ11	
GD-J200	200	285	260	208	200	670	12-Φ11	
GD-J250	250	335	310	258	208	700	12-Φ11	
GD-J320	320	425	395	328	250	780	12-Φ14	JB919
GD-J150	150	220	195	156	158	580	8-Φ12	
GD-J300	300	380	350	308	250	780	8-Φ14	

活套法兰连接(有预抽口)
Loose Flange(Pre-pumping Port)

型号Model	DN	D	Do	D1	E	H	n-Φc	预抽口Dny	法兰标准
GD-S160	160	225	200	165	158	580	8-Φ11	KF40	GB6070
GD-S200	200	285	260	208	200	670	12-Φ11	DN50 GB6070	
GD-S250	250	335	310	258	208	700	12-Φ11	DN63 GB6070	
GD-S320	320	425	395	328	250	780	12-Φ14	DN80 GB6070	
GD-S150	150	220	195	156	158	580	8-Φ12	DN40 GB4892	JB919
GD-S300	300	380	350	308	250	780	8-Φ14	DN80 GB6070	

注：DN63以上的产品，若其主要材料需要为不锈钢或波纹管轴封时，客户须特殊指定。
法兰连接可按客户要求做成ISO-K、ISO-F或者非标形式。

Note: If the product's DN is more than 63mm and its main material is stainless steel or bellows shaft seal, then the customer should give a special note in the order.
Flange style can be customized into ISO-K, ISO-F or non-standard forms.