

GI系列高真空蝶阀 GI Series High Vacuum Butterfly Valve

概述Outline

GI系列高真空蝶阀是一种手动阀门，有手柄操作和涡轮操作两种形式，并具有开闭多位锁定功能。它具有高流导，管道安装紧凑等特点，阀板启闭角度为90度。

适用的介质为空气及非腐蚀性气体。

The GI series high vacuum butterfly valve is one kind of manual valves. It has two styles, operated by handle or operated by worm wheel, and has multiple opening-bit lock. Its trait is high flow, compact pipe installation and so on. The opening and closing angle of valve plate is range of 0-90 degrees.

The applicable media is air and no-corrosive gas.



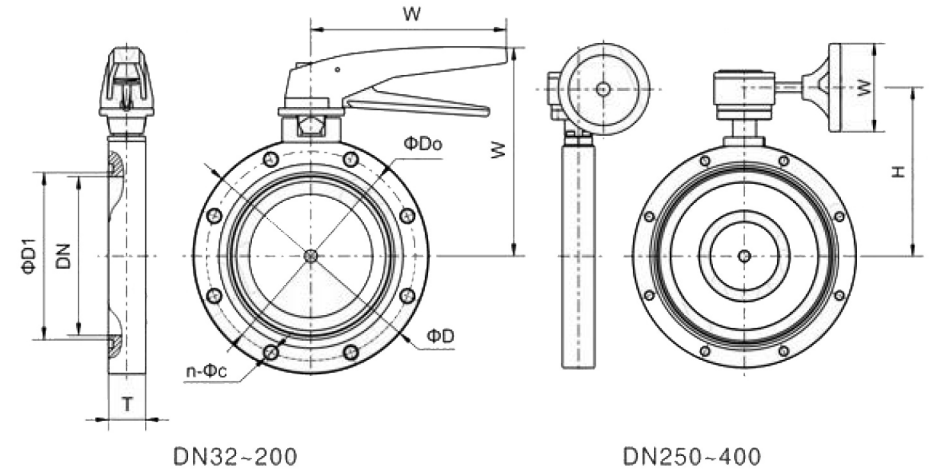
主要性能指标Main Performance Parameters

适用范围 Scope Of Application	$10^5 - 6.7 \times 10^{-5} \text{ Pa}$
阀门漏率 Valve Leakage Rate	$\leq 1.3 \times 10^{-5} \text{ Pa.L/S}$
介质温度 Medium Temperature	-25~+80℃(丁腈橡胶NBR) -30~+150℃(氟橡胶Viton)
安装状态 Installation Status	任意Any
启闭角度 Opening And Closing Angle	0-90°

主要零件材料Main Parts Material

阀体、蝶板、阀杆 Body, Disc, Stem	碳钢、不锈钢 Carbon Steel, Stainless Steel
密封件 Seal	丁腈橡胶、氟橡胶 NBR, Viton

外形及连接尺寸 (单位: 毫米) Shape And Connection Dimensions (Unit: mm)



法兰连接Flange Connection (JB 919)

型号Model	DN	D	Do	D1	T	H	W	n-Φc
GI-32	32	78	64	36	22	78	120	4-Φ7
GI-40	40	85	70	44	22	83	120	4-Φ7
GI-50	50	110	90	55	22	95	120	4-Φ9
GI-65	65	125	105	70	26	103	130	4-Φ9
GI-80	80	145	125	85	30	118	130	4-Φ9
GI-100	100	170	145	105	30	135	130	4-Φ12
GI-150	150	220	195	156	35	155	165	8-Φ12
GI-200	200	275	250	208	40	195	165	8-Φ12
GI-250	250	330	300	258	45	267	160	8-Φ14
GI-300	300	380	350	308	55	290	160	8-Φ14
GI-400	400	500	465	410	60	365	200	8-Φ18

● GIQ系列气动高真空蝶阀 GIQ Series Pneumatic High Vacuum Butterfly Valve

○ 概述Outline

GIQ系列气动高真空蝶阀是利用压缩空气作动力，并通过电磁换向元件改变气流方向来控制气缸旋转方向从而驱动阀门做开启或关闭动作，达到接通或切断真空管路的气流的目的的一种装置。它适用的介质空气及为非腐蚀性气体。订货时注意选择信号反馈装置，以便合理实现自动化控制。

GIQ Series Pneumatic High Vacuum Butterfly Valve is a device which act by compressed air and electromagnetic device to drive the valve opening or closing with changing the airflow direction to control the rotation direction of the cylinder, and to turn on or cut off the vacuum airflow. The applicable media is air and non-corrosive gas. In order to get the control automatically and reasonably please select the signal feedback device.

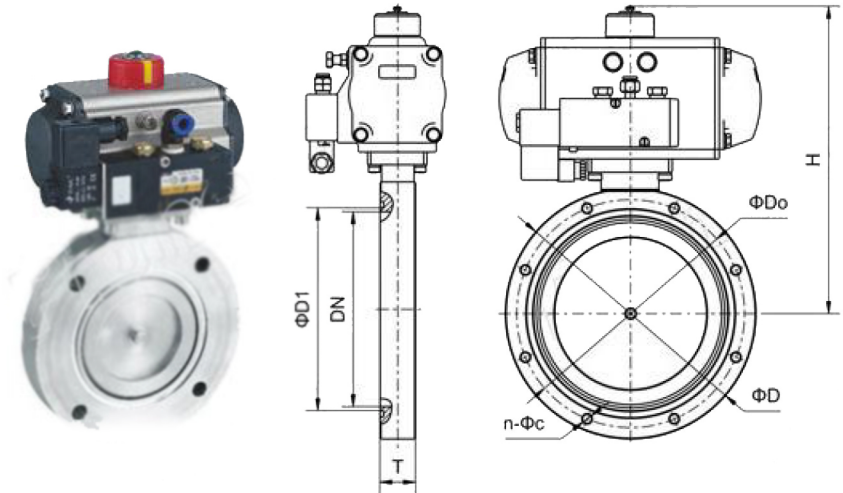
○ 主要性能指标Main Performance Parameters

适用范围 Scope Of Application	$10^5 \sim 6.7 \times 10^{-5} \text{ Pa}$
阀门漏率 Valve Leakage Rate	$\leq 1.3 \times 10^{-5} \text{ Pa.L/S}$
介质温度 Medium Temperature	-25~+80℃(丁腈橡胶NBR) -30~+150℃(氟橡胶Viton)
安装状态 Installation Status	任意Any(蝶门需朝保真空的方向 The door of the butterfly valve should direct the equipment which)
气源压力 Air Pressure	0.4~0.6MPa
电源 Power Supply	常规出厂Generally: AC220V/50HZ 可选Optional: AC110V、DC24V
信号反馈 Signal Feedback	常规出厂Generally: 阀位指示器Valve Position Indicator 可选Optional: 智能型Intelligent Type (控制信号 Control Signal: 4~20mA)

○ 主要零件材料Main Parts Material

阀体、蝶板、阀杆 Body, Disc, Stem	碳钢、不锈钢 Carbon Steel, Stainless Steel
密封件 Seal	丁腈橡胶、氟橡胶 NBR, Viton

○ 外形及连接尺寸 (单位: 毫米) Shape And Connection Dimensions (Unit: mm)



法兰连接Flange Connection (JB 919)

型号Model	DN	D	Do	D1	T	H	n-Φc
GIQ-40	40	85	70	44	22	191	4-Φ7
GIQ-50	50	110	90	55	22	204	4-Φ9
GIQ-65	65	125	105	70	26	211	4-Φ9
GIQ-80	80	145	125	85	30	221	4-Φ9
GIQ-100	100	170	145	105	30	230	4-Φ12
GIQ-150	150	220	195	156	35	259	8-Φ12
GIQ-200	200	275	250	208	40	327	8-Φ12
GIQ-250	250	330	300	258	45	357	8-Φ14
GIQ-300	300	380	350	308	55	385	8-Φ14
GIQ-400	400	500	465	410	60	495	8-Φ18
GIQ-500	500	600	565	510	80	588	12-Φ18
GIQ-600	600	710	670	610	100	770	12-Φ21
GIQ-800	800	920	880	815	130	970	20-Φ21
GIQ-1200	1200	1440	1404	1280	150	1380	36-Φ19

● GID系列电动高真空蝶阀 GID Series Electric High Butterfly Vacuum Valve

○ 概述Outline

GID系列电动高真空蝶阀是利用电动装置驱动阀板做开启或关闭动作，达到接通或切断真空管路中气流的目的的一种装置。它适用的介质为空气及非腐蚀性气体。订货时注意选择信号反馈装置，以便合理实现自动化控制。

GID Series electric high butterfly vacuum valve is a device which use electrical device to driver valve plate opening or closing to turn on or cut off the vacuum airflow. The applicable media is air and non-corrosive gas. In order to get the control automatically and reasonably please elect the signal feedback device.

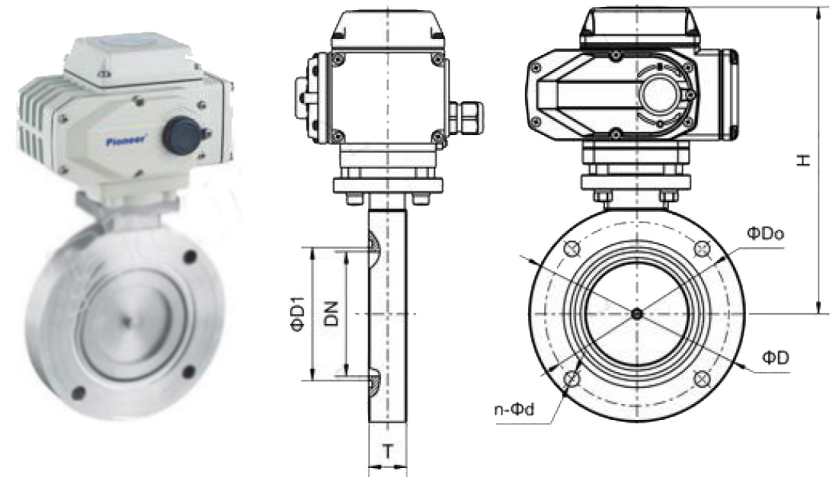
○ 主要性能指标Main Performance Parameters

适用范围 Scope Of Application	$10^5 \sim 6.7 \times 10^{-5}$ Pa
阀门漏率 Valve Leakage Rate	$\leq 1.3 \times 10^{-5}$ Pa.L/S
介质温度 Medium Temperature	-25~+80℃(丁腈橡胶NBR) -30~+150℃(氟橡胶Viton)
安装状态 Installation Status	任意Any(蝶门需朝保真空的方向 The door of the butterfly valve should direct the equipment which need keeping vacuum.)
动作时间 Operating time	10s、20s、30s
电源 Power Supply	常规出厂Generally: AC220V/50HZ 可选Optional: AC110V、DC24V
信号反馈 Signal Feedback	常规出厂Generally: 无源触点型Passive contact-type 可选Optional: 智能型Intelligent Type (控制信号 Control Signal: 4~20mA)

○ 主要零件材料Main Parts Material

阀体、蝶板、阀杆 Body、Disc、Stem	碳钢、不锈钢 Carbon Steel、Stainless Steel
密封件 Seal	丁腈橡胶、氟橡胶 NBR、Viton

○ 外形及连接尺寸 (单位: 毫米) Shape And Connection Dimensions (Unit: mm)



法兰连接Flange Connection (JB 919)

型号Model	DN	D	Do	D1	T	H	n-Φc
GID-40	40	85	70	44	22	194	4-Φ7
GID-50	50	110	90	55	22	207	4-Φ9
GID-65	65	125	105	70	26	214	4-Φ9
GID-80	80	145	125	85	30	224	4-Φ9
GID-100	100	170	145	105	30	233	4-Φ12
GID-150	150	220	195	156	35	262	8-Φ12
GID-200	200	275	250	208	40	305	8-Φ12
GID-250	250	330	300	258	45	350	8-Φ14
GID-300	300	380	350	308	55	378	8-Φ14
GID-400	400	500	465	410	60	450	8-Φ18
GID-500	500	600	565	510	80	536	12-Φ18
GID-600	600	710	670	610	100	830	12-Φ21